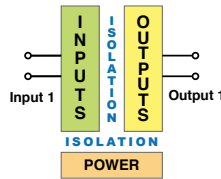


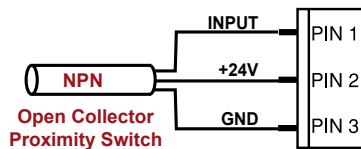


Leopard TL-RPM Isolator / Controller

- ▶ Compact, 22.5mm, DIN Rail Mount Isolator / Controller to be used with proximity, Photoelectric, Optical and Magnetic Sensor Outputs.
- ▶ 4-20mA to 4-20mA Isolator
- ▶ Two optional 6A FormC Relays
- ▶ Triple Isolated: Power to Inputs
Power to Outputs
Inputs to Outputs



High Accuracy Digital Measurement



Normally Pin 1 is at 24V
When sensor is activated Pin 1 goes to 0V

Easy to set up by entering the number of pulses. Using Remote Display to select range of 0.1, 1 or 10, meter will calculate Max RPM.



- Active 4-20mA 4-20mA
- + Isolated 0-10V 0-10V
- SP1 Optional Relay
- 6A Form C Relays
- SP2 Optional Relay



POWER SUPPLY

- PS2 15 to 48 VAC 3.5W
50-400 Hz
Fuse Not Replaceable
10 to 72 VDC 3.5W
- PS1 85 to 265 VAC 3.5W
50-400 Hz
95 to 300 VDC 3.5W



Optional Remote Display Programmer
Needed for Programming Relays



CASE DIMENSIONS

TL-PRM . . . Smart Programmable Meter Relay with Isolated 4 to 20mA Retransmission or Control Loop Output.

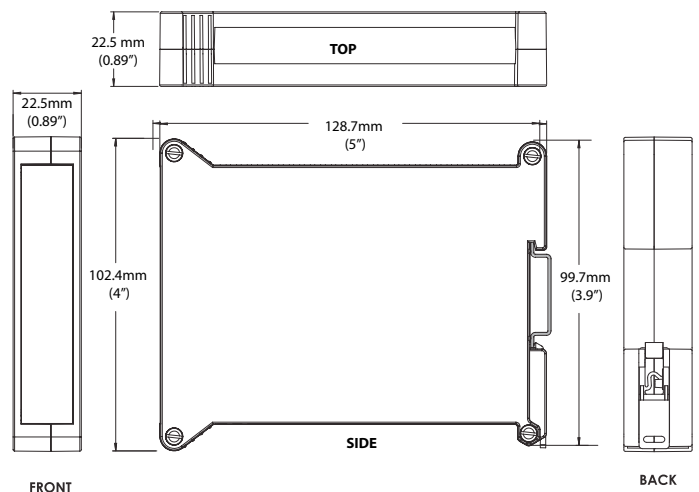
▶ POWER SUPPLY

PS1 85-265VAC/95-300VDCstandard
PS2 15-48VAC/10-72VDCoptional

▶ RELAY OUTPUT

R4 . . . Single 6A Form C Relayoptional
R5 . . . Dual 6A Form C Relaysoptional

Short Depth 96x48 Remote Display/Programmer Kit
OP-TL/RDISP . . Remote Display/Programmer w/
Cable and Belt clip Carrying Caseoptional



- For ordering info call: 1-800-TEXMATE or 760 598-9899
 - Email: orders@texmate.com
 - For tech assistance call: (760) 598-9899
- 1934 Kellogg Ave, Carlsbad, CA 92008